

Residential

Ductless LV Series

Product Flyer 2013/7

0.75 to 2.0 TON



COMFORT FOR LIFE



EXPERTISE AND INNOVATION

Daikin's SEER 20+ single split systems feature wall mounted units with a sophisticated appearance and a flat panel design. Packed with high energy-saving features, these systems are ideal for single room enhancements and additions up to 1,460 square feet*.

*Equipment selection should always be based on detailed load calculations.



All FTXS/RXS_LVJU systems qualify for the Energy Tax Extenders of The American Taxpayers Relief Act of 2012.

ENERGY EFFICIENCY

Up to

24.5 SEER
12.5 HSPF

Integrated with an inverter "variable speed" compressor, SEER 20+ single split systems deliver the capacity required to maintain desired room conditions, typically reducing energy consumption by 30% compared to traditional fixed speed systems. This technology minimizes temperature fluctuations and provides continuous cooling and heating comfort with maximum energy savings.

INDIVIDUAL COMFORT AND CONTROL

Daikin remote controllers provide individual temperature control at the click of the button. The SEER 20+ single split systems are also compatible with the new Daikin ENVi intelligent thermostat, offering a more advanced solution, designed with energy savings performance in mind. With the freedom to access, program and control the system from a smart phone, tablet, or computer, users can have peace of mind - anytime, anywhere.



BUILT-IN RELIABILITY



All major components are engineered and manufactured by Daikin, ensuring maximum performance, reliability and efficiency.

The standard warranty provides a solid level of protection on the LV Series systems. Systems installed by an authorized Daikin Dealer who has completed Daikin's advanced training can take advantage of Warranty Plus – the best warranty in the industry.

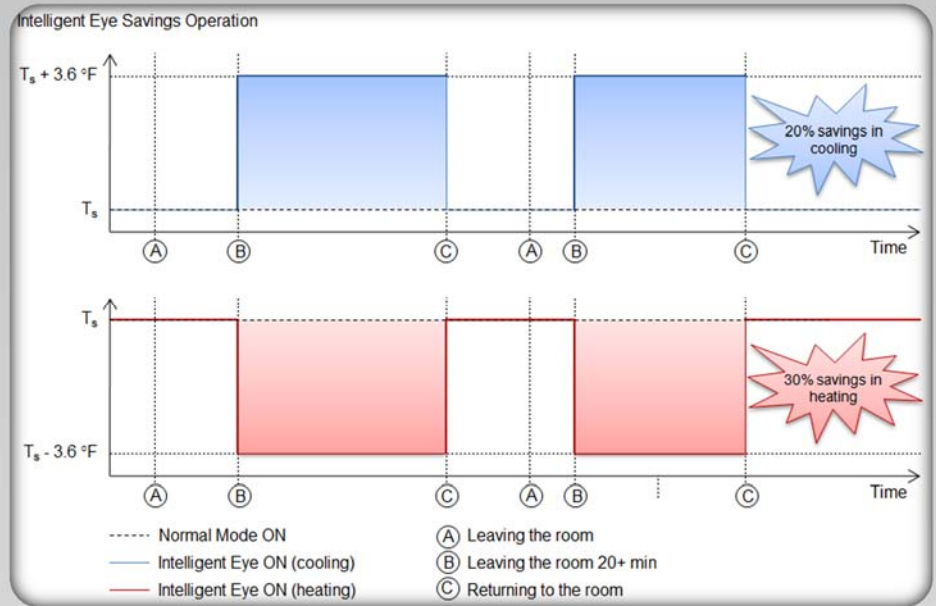
Find a Daikin Dealer near you at www.daikinac.com.



ADVANCED FEATURES THAT MAKE A DIFFERENCE

See the Difference

Equipped with the intelligent eye feature, this function detects movement and automatically changes to an energy saving mode when movement is not detected for over 20 minutes. Normal operation resumes once movement is detected, ensuring a comfortable experience and offering savings up to 20% in cooling and up to 30% in heating.



Feel the Difference



With the ability to program up to four settings per day, the weekly timer allows users to personalize on/off times and temperature settings. Delivering heating and cooling when it is needed most, this feature provides customizable comfort with energy savings.

Breathe the Difference

Activated by the exposure to natural light, the titanium apatite photocatalytic air purification filter traps microscopic particles, decomposes odors and absorbs and deactivates bacteria. This filter lasts for three years with proper maintenance.



FEATURES

- | | | | | | | | | |
|--------------------|--|-------------------------------------|-----------------------|---------------------------|-------------------------------------|---------------------------------------|--------------------------|-----------------------|
| | | | | | | | | |
| Wide Angle Louvers | Powerful Airflow Dual Flaps | Vertical Auto Swing | Horizontal Auto Swing | 3D Airflow | Comfort Mode | Automatic Operation | Program Dry Function | Auto Fan Speed |
| | | | | | | | | |
| Intelligent Eye | Outdoor Quiet Operation | Indoor Quiet Operation | Econo Mode | Powerful Mode | Mold Proof Air Filter | Titanium Apatite Air Purifying Filter | Weekly Timer | Wipe Clean Flat Panel |
| | | | | | | | | |
| Hot Start | LCD Wireless Remote Control with Backlit Display | Remote Control with Backlit Display | 24 Hour On/Off Timer | Indoor Unit On/Off Switch | Self Diagnosis with Digital Display | Auto Restart | Anti-Corrosion Treatment | |

LEADING TECHNICAL PERFORMANCE

LV Series High Efficiency System Performance

Indoor Model		FTXS09LVJU	FTXS12LVJU	FTXS15LVJU	FTXS18LVJU	FTXS24LVJU
Outdoor Model		RXS09LVJU	RXS12LVJU	RXS15LVJU	RXS18LVJU	RXS24LVJU
Cooling Capacity (Rated)	Btu/h	9,000	12,000	15,000	18,000	21,500
Cooling Capacity (Min - Max)	Btu/h	4,400 - 10,600	4,800 - 13,800	5,800 - 18,000	5,800 - 21,600	7,800 - 25,800
Heating Capacity (Rated)	Btu/h	9,000	12,000	15,000	18,000	25,400
Heating Capacity (Min - Max)	Btu/h	4,400 - 15,600	4,800 - 18,000	5,800 - 22,300	5,800 - 26,700	7,800 - 31,400
SEER		24.5	23.0	20.6	20.3	20.0
EER (95°F)		15.3	12.8	14.4	12.7	12.5
HSPF		12.5	12.5	11.6	11.0	10.6
COP (47°F)		4.46	4.35	4.00	3.70	3.37
Power Supply	Single phase 60Hz 208/230V					
Minimum Circuit Amps	A	8.00	8.75	13.75	13.75	17.50
Maximum Overcurrent Protection	A	15.0	15.0	20.0	20.0	20.0
Power Consumption - Cooling	W	590	940	1,040	1,420	1,720
Power Consumption - Heating	W	790	970	1,320	1,710	2,210
Operating Current - Cooling	A	3.6 - 3.3	4.9 - 4.4	5.2 - 4.7	7.1 - 6.4	8.4 - 7.6
Operating Current - Heating	A	4.4 - 3.9	4.9 - 4.5	6.5 - 5.9	8.4 - 7.6	10.7 - 9.7

Indoor Units - FTXS_LVJU Wall Mounted Units

Model Name		FTXS09LVJU	FTXS12LVJU	FTXS15LVJU	FTXS18LVJU	FTXS24LVJU
Moisture Removal	gal/h	0.3	0.5	0.8	1.0	1.2
Airflow-Wet (H/M/L/SL)	CFM	381/279/194/145	403/307/205/155	568/477/385/360	583/484/385/360	643/494/350/328
Airflow-Dry (H/M/L/SL)	CFM	420/321/233/219	438/335/240/212	593/505/417/371	625/526/431/399	699/572/445/403
Sound Pressure - Cooling (H/M/L/SL)	dB(A)	41/33/25/22	45/37/29/23	45/40/35/32	46/41/36/33	51/42/37/34
Sound Pressure - Heating (H/M/L/SL)	dB(A)	42/35/28/25	45/39/29/26	43/38/33/30	45/40/35/32	48/42/37/34
Piping Connections	Liquid (O.D.)	in.	Ø 1/4	Ø 1/4	Ø 1/4	Ø 1/4
	Gas (O.D.)	in.	Ø 3/8	Ø 3/8	Ø 1/2	Ø 5/8
	Condensate Drain	in.	Ø 5/8	Ø 5/8	Ø 5/8	Ø 5/8
Dimensions (H x W x D)	in.	11-5/8 x 31-1/2 x 8-7/16		13-3/8 x 41-5/16 x 9-3/4		
Net Weight	lbs.	20.0	22.0	31.0	31.0	31.0

Outdoor Units - RXS_LVJU Heat Pump

Model Name		RXS09LVJU	RXS12LVJU	RXS15LVJU	RXS18LVJU	RXS24LVJU
Sound Pressure Level - Cooling	dB(A)	47/43	49/44	47/44	49/46	52/49
Sound Pressure Level - Heating	dB(A)	48/44	49/45	48/45	49/46	52/49
Operating Range - Cooling	°F DB	14 - 115	14 - 115	14 - 115	14 - 115	14 - 115
Operating Range - Cooling with Optional Wind Baffle	°F DB	0 - 115	0 - 115	0 - 115	0 - 115	0 - 115
Operating Range - Heating	°F DB	5 - 77	5 - 77	5 - 77	5 - 77	5 - 77
Max. Piping Length	ft.	65.6	65.6	98.4	98.4	98.4
Max. Piping Height	ft.	49.2	49.2	65.6	65.6	65.6
Dimensions (H x W x D)	in.	21-5/8 x 30-1/8 x 11-1/4		28-15/16 x 32-1/2 x 11-13/16		30-5/16 x 35-7/16 x 12-5/8
Net Weight	lbs.	75	75	104	104	159

Options Part Number

Indoor Unit	
Wireless Remote Controller (Standard)	ARC452
Wired Remote Controller (Option)	BRC944B2
Thermostat (Option)	Daikin ENVi (DACA-TS1-1)
Condensate Pump	DACA-CP1-1
Outdoor Unit	
Mounting Bracket	DACA-WB-3
Air Adjustment Grille (09/12 MBH)	KPW937C4
Air Adjustment Grille (15/18/24 MBH)	KPW945A4

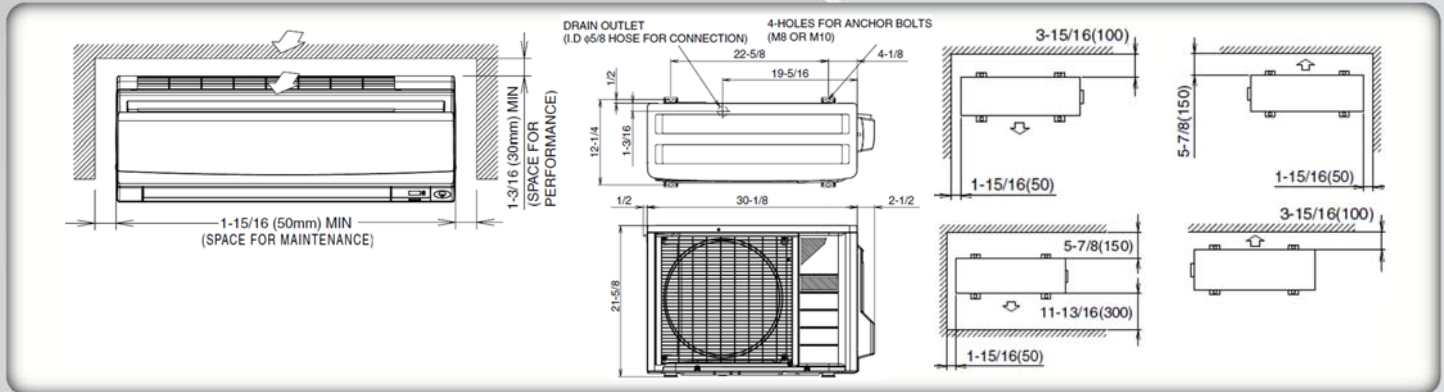
TIME-SAVING INSTALLATION AND EASE

Connected by a pair of refrigerant lines, few electrical connections, and little to no ductwork, indoor and outdoor units can be easily installed in existing spaces with minor disruption and often in a single day's work. The compact and lightweight designs combined with flexible piping and minimal wiring allow installation with minimal time and costs.

For FTXS09/12LVJU, RXS09/12LVJU

Space required for installation (in.)

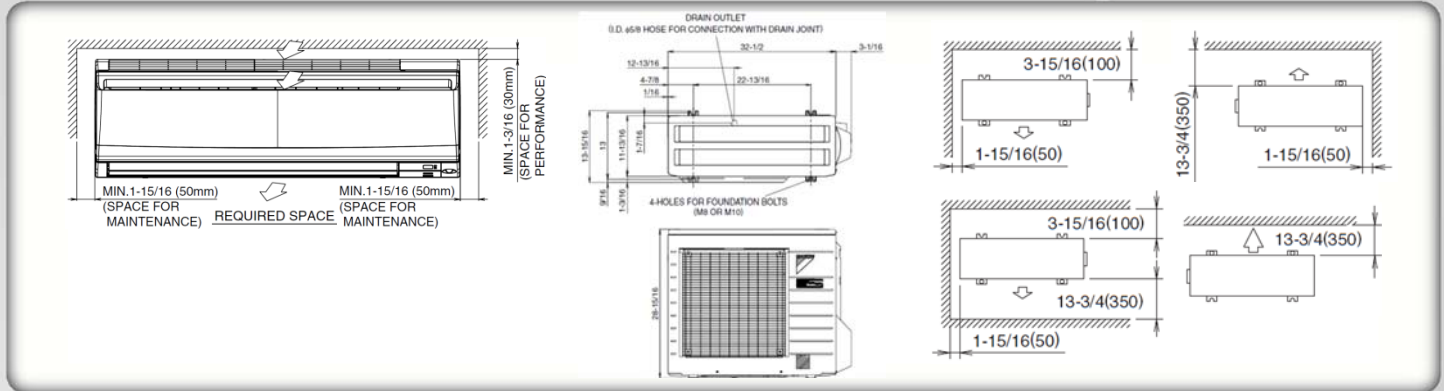
Wall height on air outlet side = Less than 47-1/4"



For FTXS15/18LVJU, RXS15/18LVJU

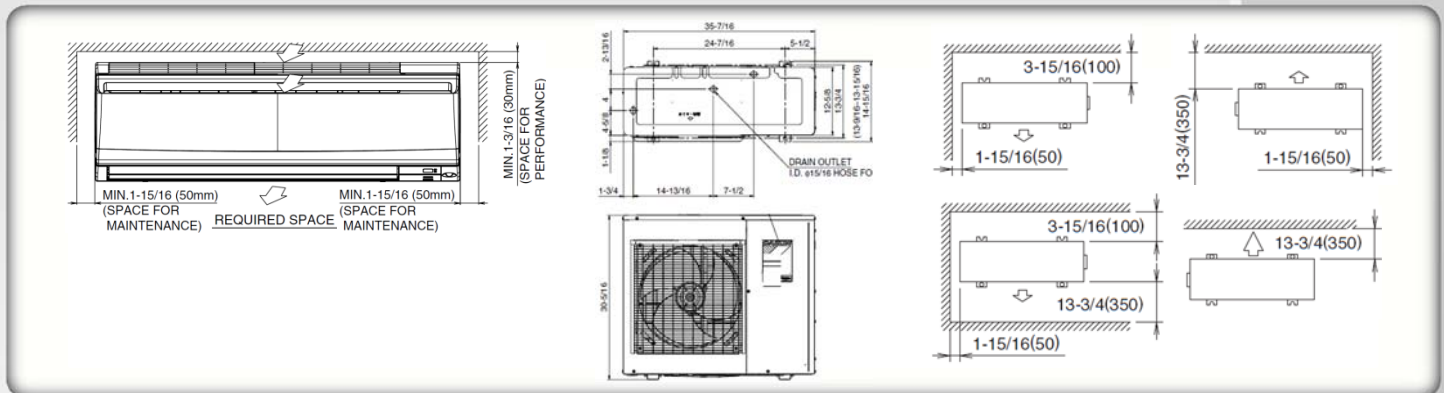
Space required for installation (in.)

Wall height on air outlet side = Less than 47-1/4"



For FTXS24LVJU, RXS24LVJU

Space required for installation (in.)



Ductless LV Series

Product Flyer 2013/7

0.75 to 2.0 TON

WARNINGS:

- Always use a licensed installer or contractor to install this product. Do not try to install the product yourself. Improper installation can result in water or refrigerant leakage, electrical shock, fire or explosion.
- Use only those parts and accessories supplied or specified by Daikin. Ask a licensed contractor to install those parts and accessories. Use of unauthorized parts and accessories or improper installation of parts and accessories can result in water or refrigerant leakage, electrical shock, fire or explosion.
- Read the User's Manual carefully before using this product. The User's Manual provides important safety instructions and warnings. Be sure to follow these instructions and warnings.

For any inquiries, contact your local Daikin sales office.



Use of the AHRI Certified™ mark indicates a manufacturer's participation in the certification program. For verification of certification for individual products, go to www.ahridirectory.org

Daikin, Absolute Comfort, and its design, VRV, REFNET, Quaternity, Daikin Altherma are trademarks of Daikin Industries, LTD.

www.likin-daikin.com

Distributor or Dealer Information: